

# 19" LCD Desktop SAW Wide-screen Touchmonitor

KDT-0190U-SA4BK

KDT-0190S-SA4BK

Designed, developed and built to provide the most cost-effective touch solutions for system integrators and VARs. It packs Keetouch's quality and reliability into an integrated, affordable touchmonitor

## ◆ Features

- ◆ Wide-screen, ratio 16: 9
- ◆ Long-lasting product cycle
- ◆ RS232 or USB touch interface
- ◆ Digital on-screen display (OSD)
- ◆ Worldwide agency approvals



Shenzhen KeeTouch Electronic Co., Ltd.

**[www.keetouch.com](http://www.keetouch.com)**

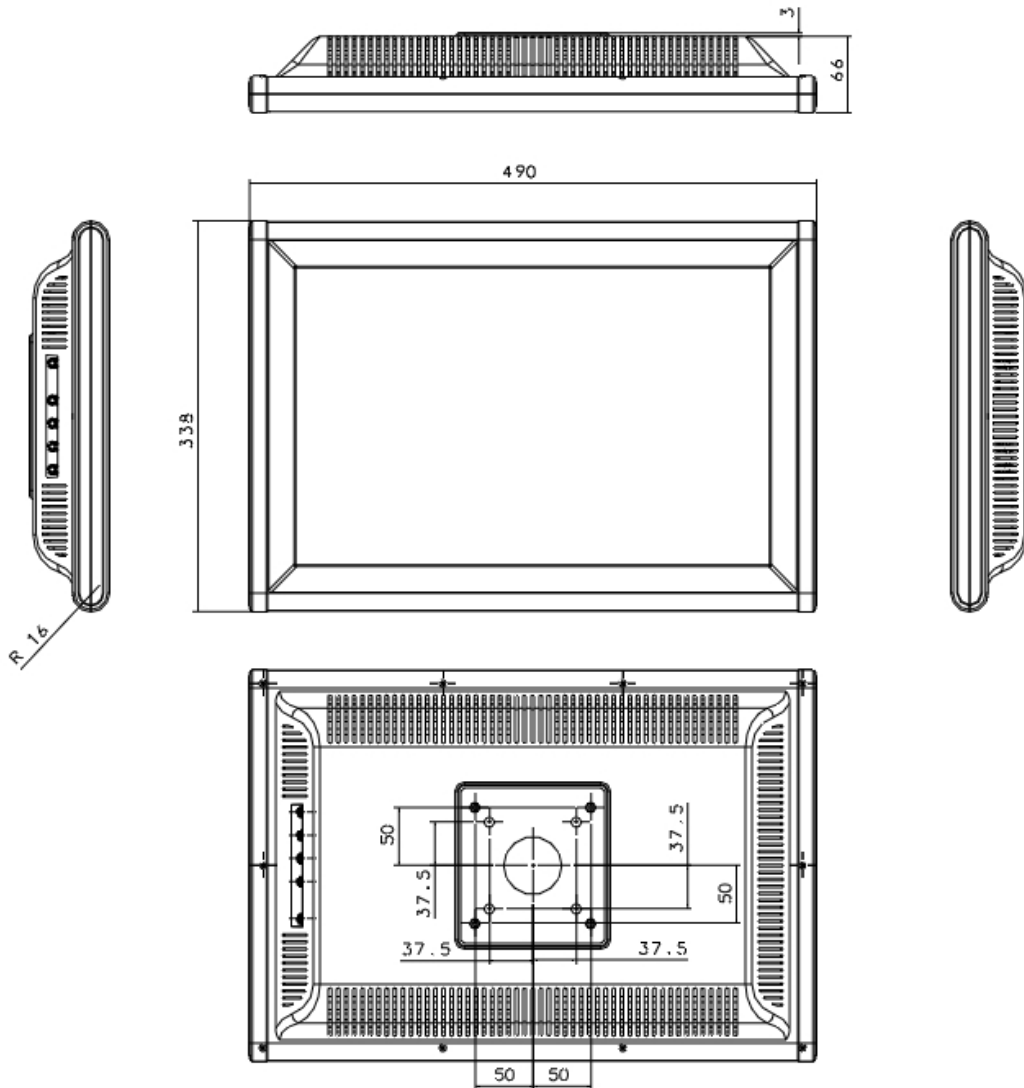
March 2008

## ◆ Specification

<b>Model No.</b>	KDT-0190U-SA4BK; KDT-0190S-SA4BK	
<b>Series</b>	DT,Wide-screen	
<b>Case/bezel color</b>	Dark gray	
<b>LCD Type</b>	Active matrix TFT-LCD	
<b>Display Size</b>	19 " (diagonal)	
<b>Active Area</b>	16.1 " (408.24mm)×10.0 " (255.15mm)	
<b>Suggested Resolution</b>	1440×900	
<b>Supported Resolutions</b>	1440×900 at 60 Hz; 1360×1024 at 60,70,75 Hz; 1360×768 at 60,72,75 Hz; 1280×1024 at 60,72,75 Hz; 1280×960 at 60,72,75 Hz; 1280×800 at 60,72,75 Hz	
<b>Support Colors</b>	16.7M	
<b>Brightness(Typ.)</b>	Pure LCD Panel	300cd/m <sup>2</sup>
	With SAW Glass Sensor	270cd/m <sup>2</sup>
<b>Response Time(Typ.)</b>	5ms	
<b>Viewing Angle (Typ.at CR&gt;10)</b>	Horizontal(left/right)	80°/80°
	Vertical(up/down)	80°/80°
<b>Contrast Ratio(Typ.)</b>	700:1	
<b>Video Input</b>	Analog RGB	
<b>Signal Input</b>	H/V Separate Sync. (TTL)	
<b>Video Signal Input Connector</b>	Mini D-Sub 15-pin VGA	
<b>Frequency (H/V)</b>	30~80KHz / 60~75Hz	
<b>Environment</b>	Operating Temp.	0~50℃
	Storage Temp.	-20~60℃
	Operating RH:	20%~80%
	Storage RH:	10%~90%
<b>MTBF</b>	50,000 Hours	
<b>LCD Back light Life(Typ.)</b>	50,000 Hours	
<b>Weight (N.W/G.W)</b>	7Kg /7.8Kg	
<b>Power Consumption</b>	50W Max.	
<b>Mount options</b>	100mm and 75mm VESA mount (screw M5)	
<b>OSD Control</b>	Buttons	POWER,MENU,∧,∨, AUTO
	Function	Brightness, Contrast Ratio, Auto-adjust, Phase, Clock, H/V Location, Languages, Function, Reset

<b>Touch screen Type</b>	KAL-0190-4B: 19" SAW wide-screen 4MM thickness of touch screen sensor;
<b>Touch System Interface</b>	USB for KDT-0190U-SA4BK; RS232 for KDT-0190S-SA4BK
<b>Certificates</b>	Will get UL & FCC according to customer's requirement of specified model

◆ **Dimensions**



◆ **Accessories**

**Power Cable:** A North American power cable or an European power cable is included according to the end user's area.

**Power Supply Brick:** A power supply brick is included.