

12.1" LCD Open frame SAW Touch Monitor

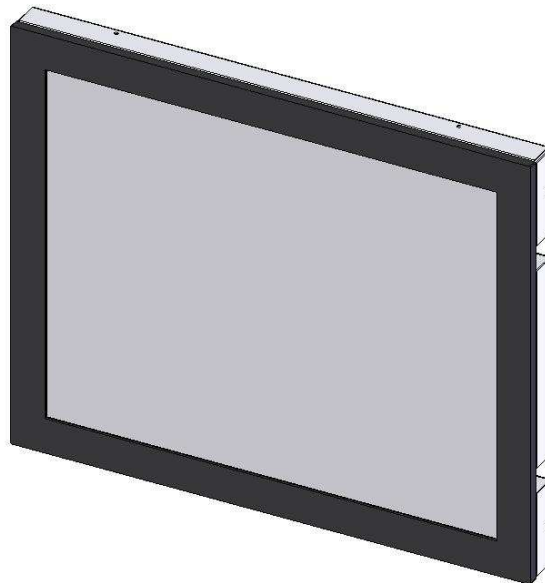
(the Dust-proof Type)

Model: KOT-0121US-SA4BP

Keetouch's 12.1" LCD touch monitors have a long-lasting product cycle because the enclosure is controlled by Keetouch's specifications. Future panel improvements are therefore possible without external changes. The KOT-0121US-SA4BP integrate with the Keetouch's SAW technology touchscreen.

◆ Features

- Long lasting product cycle-enclosure controlled by Keetouch specifications
- Future generation panels phased-in without external changes
- High quality panel with high brightness,high contrast ratio and broad viewing angle
- Multiple mounting options including rear-mount ,VESA mount, horizontal or vertical bracket-mount
- Keetouch's SAW technology on pure glass for the ultimate in image quality
- Dual USB and RS232 touch interface
- Worldwide agency approvals



Shenzhen Keetouch Electronic Co., Ltd.

www.keetouch.com

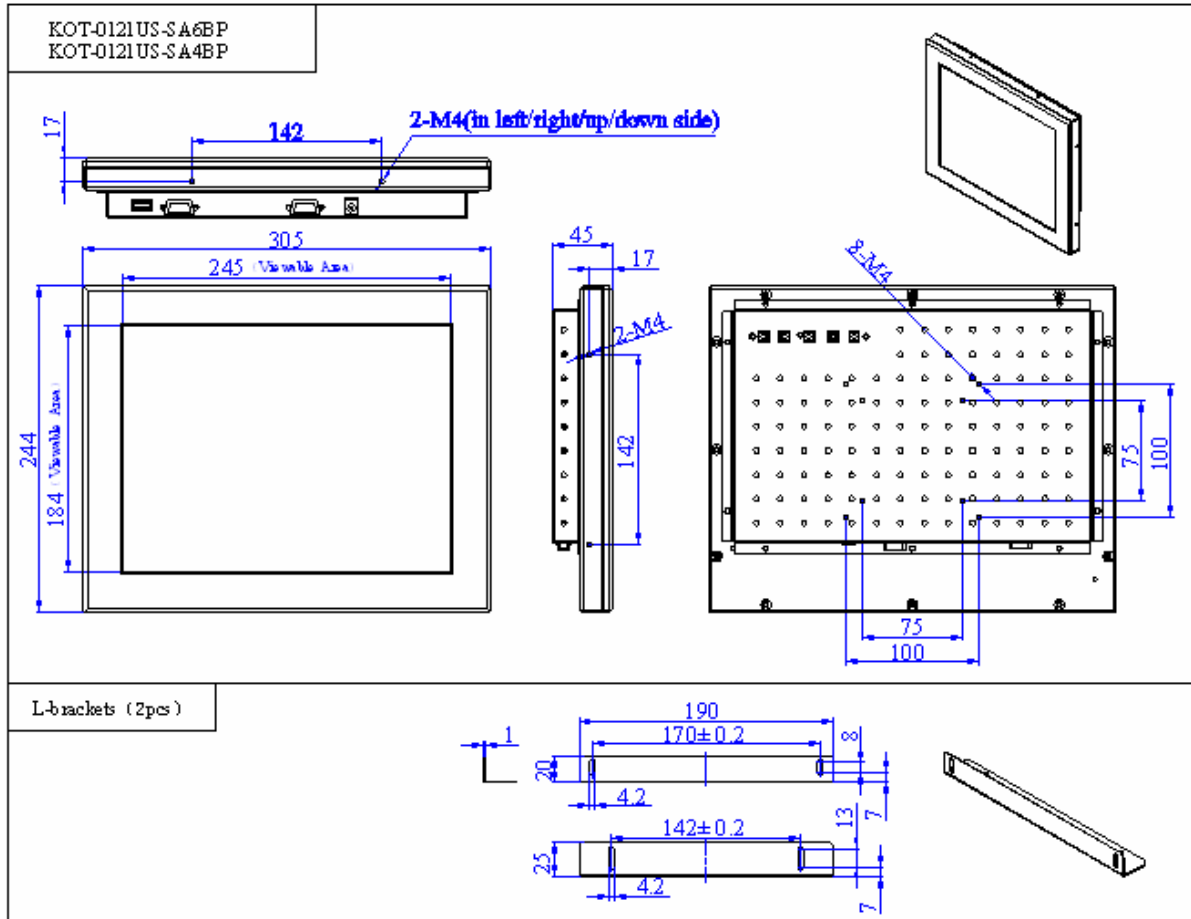
January 2007

◆ Specification

Model No.	KOT-0121US-SA4BP	
Series	OT, Dust-proof	
Structure	Metal-cased Openframe and Black medal Dust-proof Front Bezel	
LCD Type	Active matrix TFT-LCD	
Display Size	12.1 " (diagonal)	
Active Area	246mm×184.5mm	
Monitor Dimensions	Width: 305mm Height: 244mm Depth: 45mm	
Suggested Resolution	800×600	
Support Colors	262K	
Brightness(Typ.)	Pure LCD Panel	370cd/m ²
	With SAW Glass Sensor	333cd/m ²
Response Time(Typ.)	45ms	
Viewing Angle (Typ.at CR>10)	Horizontal(left/right)	70°/70°
	Vertical(up/down)	50°/60°
Contrast Ratio(Typ.)	450:1	
Video Input	Analog RGB	
Signal Input	H/V Separate Sync. (TTL)	
Video Signal Input Connector	Mini D-Sub 15-pin VGA	
Frequency (H/V)	30~80KHz / 60~75Hz	
Power Supply	Type: External brick Input (line) voltage: 100-240 VAC, 50-60 Hz Output voltage/current: 12 volts at 4 amps max	
Environment	Operating Temp.	0~50℃
	Storage Temp.	-20~60℃
	Operating RH:	20%~80%
	Storage RH:	10%~90%
MTBF	50,000 Hours	
LCD Back light Life(Typ.)	50,000 Hours	
Weight (N.W/G.W)	4.3Kg /5.8 Kg	
Power Consumption	25W Max.	
Mount Interface	1)VESA 75mm and 100mm 2)Mount bracket, horizontal or vertical (Standard mount brackets are supplied)	
OSD Control	Buttons	AUTO,+,POWER,-,MENU
	Function	Brightness, Contrast Ratio, Auto-adjust, Phase, Clock, H/V Location, Languages, Function, Reset
Touch screen Type	KAL-0121-4B: 12.1" SAW 4MM thickness of touch screen sensor;	

Touch System Interface	USB and RS232
Certificates	ETL ,FCC,CE,RoHS

◆ Mechanical Drawing



◆ Accessories

Power Cable: A North American power cable or an European power cable is included according to the end user's area.

Power Supply Brick: A power supply brick is included.

Touch/Video Cables: Detachable serial or USB touch cable, and video cables are included

L-brackets: Two standard L-brackets are included.